

MINI300W Wind Turbine

◆ MINI300W-3

◆ MINI300W-5



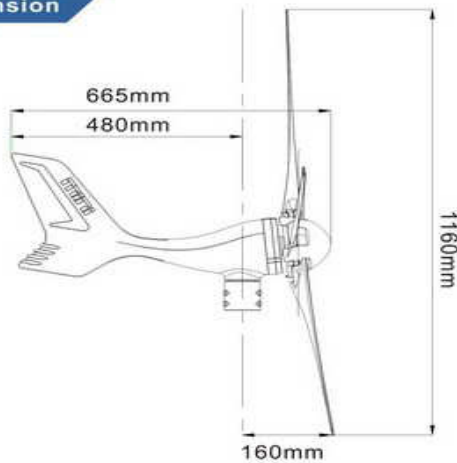
Product Feature

- 3 / 5 blades, 2 models for choice
- Bearing from "SKF" Sweden.
- Stainless steel screw bolt from "THE".
- Primary aluminum housing, not secondary aluminum.
- Low start-up wind speed
- High-efficient Generator
- Perfect Wind Wheel System
- Unique Design Of The Rudder
- Damp-proof, sand-proof, Anti-rust, Anticorrosion
- Easy installation, Free of maintenance, Long lifespan over 15 years.

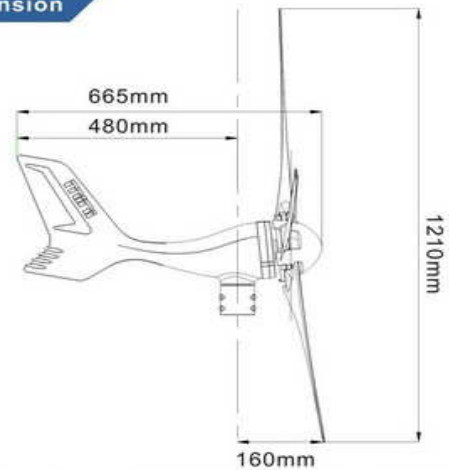
Specification

Model	Mini300W-3	Mini300W-5
Rated power	300 watts at 11 m/s	
Max Capacity	350watts	
Voltage	12, 24 VDC	
Blades	3 Pcs Nylon Fiber	5 Pcs Nylon Fiber
Start-Up Wind Speed	2.0 (m/s)	1.5 (m/s)
Cut-In Wind Speed	2.5(m/s)	2.0(m.s)
Rotor Diameter	1.16 m	1.21m
Weight	6.2 kg	7.1 kg
Shipping Dimensions	790x 430x 220 mm (8 kg)	790x 430x 220 mm (9.3 kg)
Mount	1.9 inch (48 mm) OD pipe	
Turbine Controller (Optional)	Maximum Power Point Tracking, MPPT	
Body	Cast aluminum	
Overspeed Protection	Electronic torque control	
Working temperature	-20°C ~ 120°C	
Certificate	ISO9001:2008 ,CE, RoHS	
Survival Wind Speed	50 m/s	
Warranty	3 year limited warranty	

Dimension



Dimension



Product introduction

- **Stainless steel screw bolt from "THE".**
- **Primary aluminum housing, not secondary aluminum.**
- **Low start-up wind speed**

Low wind speed series wind turbines generate more than 60% effective power than the same rotor diameter wind turbine annually.

- **High-efficient Generator**

Three-phase permanent magnet synchronous wind turbine, more than 10% of the efficiency of ultra-GB, starting resistance, only be 1/3 of the GB limit, motor insulation rating class H insulation.

- **Innovative Noise Reduction Technology**

Start and product electricity at the 1.5m/s, noise only at 40db at 13m/s.

- **Perfect Wind Wheel System**

The wind turbine wheel are made of a low temperature resistance, aging high strength compound material, can cope with a variety of complex wind conditions, charge wind energy into electrical energy efficiently and sustainably..

- **Unique Design Of The Rudder**

Wind turbine rudders are ale to respond to the wind speed and wind direction flexibly, enhancing the efficiency of power generation.

Workshop view



Sales view



Project view

Project

Wind Solar Street Light in Shenzhen



Project

Wind Solar Street Light in Hisense South Africa



Project

Wind Solar Street Light in Guangzhou TOYOTA



Project

Wind Solar Street Light in Yunnan



Project

